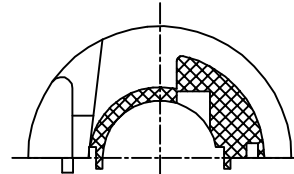
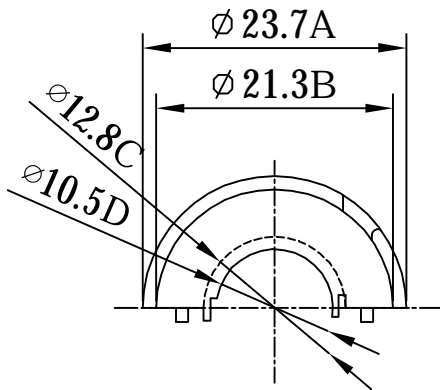


SECTION:A-A



SECTION:B-B



REVISIONS				
ISSUE	SYM	DATE	DRAFTER	CHECKER

NOTE:



樹林企業股份有限公司
TAIWAN SHULIN ENTERPRISE CO., LTD

MODEL

ET-35(4SEC)

MATERIAL

PBT

WEB: www.bobbin.com.tw

UL RATING

UL94V-0

TOLERANCE

e-mail: shulin@bobbin.com.tw

PIN MATERIAL

.X ±0.2

(TAIWAN TAIPEI) TEL:(886)2-2223-1500 FAX:(886)2-2222-4646

EDITION

2.0A

.XX ±0.15

(CHINA DONGGUAN) TEL:(86)769-7730-785 FAX:(86)769-7312-387

DATE

2003/8/30

PIN PITCH ±0.1

(CHINA SUZHOU) TEL:(86)512-6621-0580 FAX:(86)512-6621-0685

SCALE

1.5/1

UNIT

MM