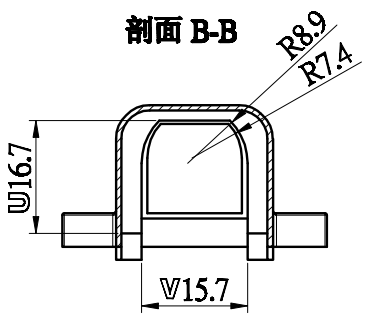
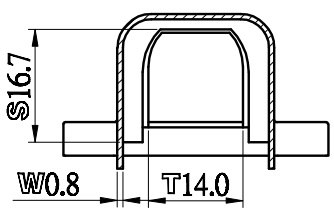
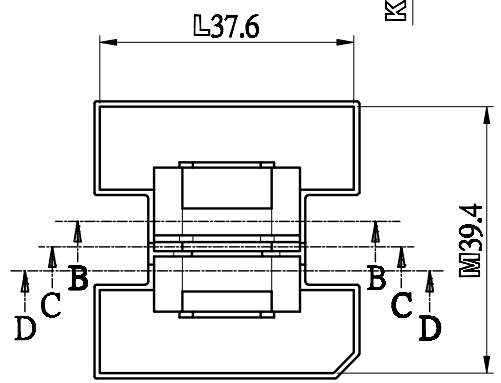


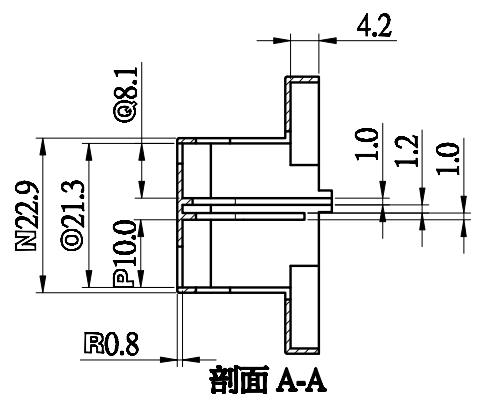
剖面 B-B



剖面 D-D



剖面 C-C



剖面 A-A

REVISIONS				
ISSUE	SYM	DATE	DRAFTER	CHECKER

NOTE:

 树林企业股份有限公司
TAIWAN SHULIN ENTERPRISE CO., LTD

MODEL	TF-3407 CASE
MATERIAL	PBT/FR530

WEB: www.bobbin.com.tw	UL RATING	UL94V-0	TOLERANCE	
e-mail: shulin@bobbin.com.tw	PIN MATERIAL			
(TAIWAN TAIPEI) TEL: (886)2-2223-1500 FAX: (886)2-2222-4646	EDITION	1.0	X ± 0.3	
(CHINA DONGGUAN) TEL: (86)769-7730-785 FAX: (86)769-7312-387	DATE	2011/04/26	XX ± 0.2	
(CHINA SUZHOU) TEL: (86)512-6621-0580 FAX: (86)512-6621-0685	SCALE	1/1	XXX ± 0.1	
			UNIT	MM