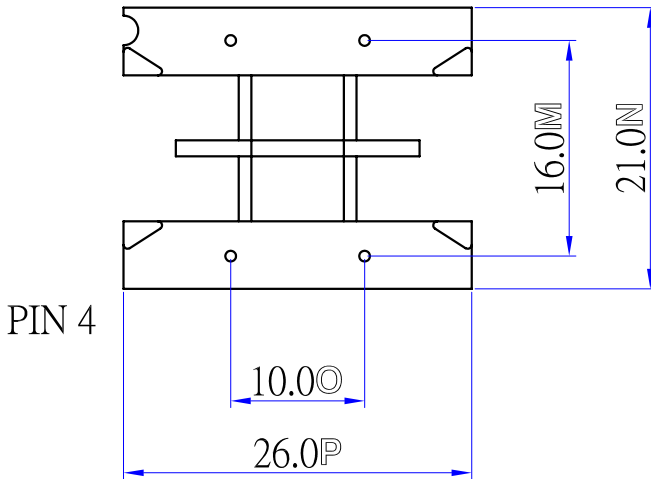


PIN 1



REVISIONS				
ISSUE	SYM	DATE	DRAFTER	CHECKER

NOTE:



树林企业股份有限公司
TAIWAN SHULIN ENTERPRISE CO., LTD

WEB: www.bobbin.com.tw

e-mail: shulin@bobbin.com.tw

(TAIWAN TAIPEI) TEL: (886)2-2223-1500 FAX: (886)2-2222-4646

(CHINA DONGGUAN) TEL: (86)769-7730-785 FAX: (86)769-7312-387

(CHINA SUZHOU) TEL: (86)512-6621-0580 FAX: (86)512-6621-0685

MODEL

TF-2509-2

MATERIAL

PHENOLIC

UL RATING

UL94V-0

TOLERANCE

PIN MATERIAL

CP WIRE

.X ± 0.2

EDITION

1.0

.XX ± 0.15

DATE

2009/12/08

PIN PITCH ± 0.1

SCALE

2/1

UNIT

MM