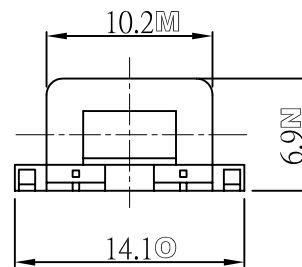
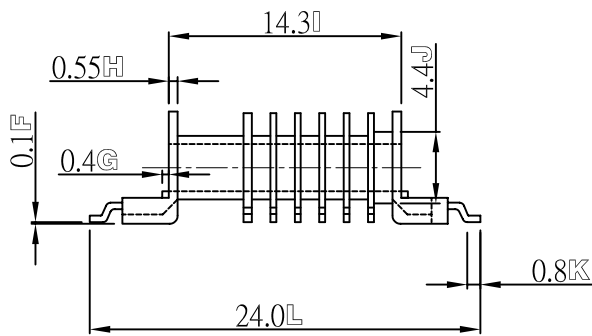
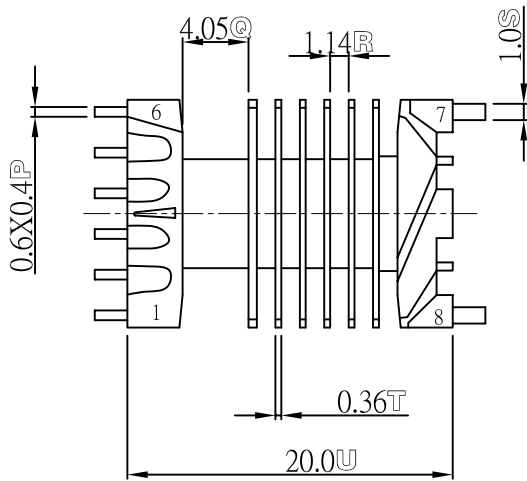


SECTION: A-A



SECTION: B-B



REVISIONS				
ISSUE	SYM	DATE	DRAFTER	CHECKER

NOTE:



樹林企業股份有限公司  
TAIWAN SHULIN ENTERPRISE CO., LTD

WEB:www.bobbin.com.tw

e-mail:shulin@bobbin.com.tw

(TAIWAN TAIPEI) TEL:(886)2-2223-1500 FAX:(886)2-2222-4646

(CHINA DONGGUAN) TEL:(86)769-7730-785 FAX:(86)769-7312-387

(CHINA SUZHOU) TEL:(86)512-6621-0580 FAX:(86)512-6621-0685

MODEL

SMD-FRAME-15-001

MATERIAL

L.C.P

UL RATING

UL94V-0

TOLERANCE

PIN MATERIAL

PHOS.B

.X ±0.2

EDITION

2.0

.XX ±0.1

DATE

2002/8/30

.XXX ±0.05

SCALE

2/1

PIN PITCH ±0.1

UNIT

MM