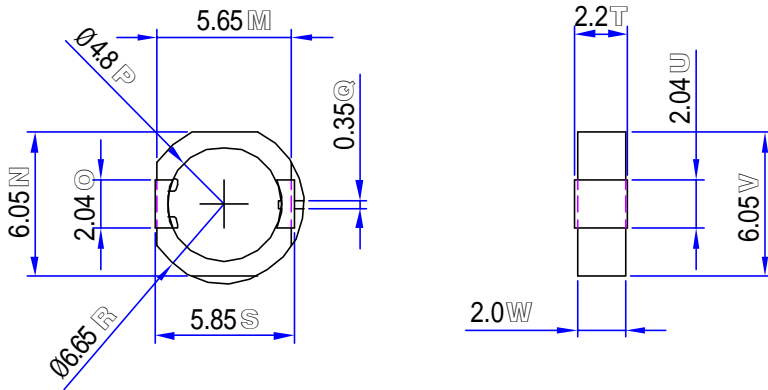


SCALE 2:1



REVISIONS				
ISSUE	SYM	DATE	DRAFTER	CHECKER

NOTE:



樹林企業股份有限公司

TAIWAN SHULIN ENTERPRISE CO., LTD

MODEL SMD-CLIP-063

MATERIAL PHOS.B/SN

WEB:www.bobbin.com.tw	UL RATING	*****	TOLERANCE .X ±0.1 .XX ±0.05 PIN PITCH ±0.1	
e-mail:shulin@bobbin.com.tw	PIN MATERIAL	PHOS.B/SN		
(TAIWAN TAIPEI) TEL:(886)2-2223-1500 FAX:(886)2-2222-4646	EDITION	2.0		
(CHINA DONGGUAN) TEL:(86)769-7730-785 FAX:(86)769-7312-387	DATE	2002/8/30		
(CHINA SUZHOU) TEL:(86)512-6621-0580 FAX:(86)512-6621-0685	SCALE	1/1	UNIT	MM