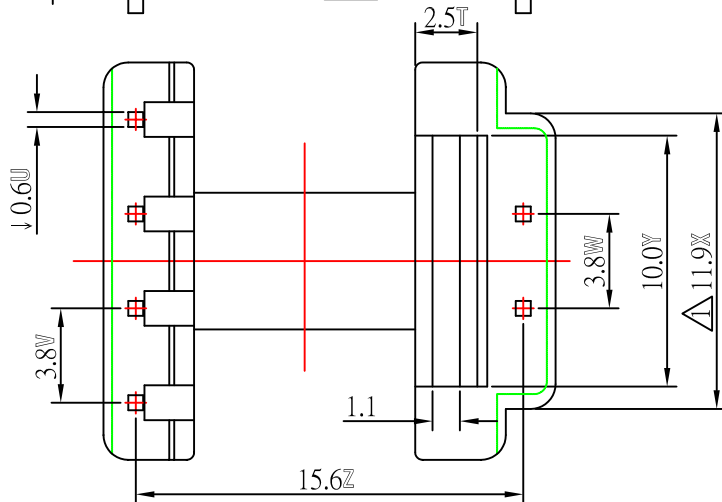


SECTION A-A



REVISIONS				
ISSUE	SYM	DATE	DRAFTER	CHECKER
1.	△	2004/10/27	GAO WEI WEI	C.H.WANG
NOTE:				


**樹林企業股份有限公司**  
 TAIWAN SHULIN ENTERPRISE CO., LTD

MODEL

TF-1628

MATERIAL

PHENOLIC

WEB:www.bobbin.com.tw

UL RATING

UL94V-0

TOLERANCE

e-mail:shulin@bobbin.com.tw

PIN MATERIAL

CP WIRE

.X±0.2

(TAIWAN TAIPEI) TEL:(886)2-2223-1500 FAX:(886)2-2222-4646

EDITION

1.0A

.XX±0.15

(CHINA DONGGUAN) TEL:(86)769-7730-785 FAX:(86)769-7312-387

DATE

2004/07/05

PIN PITCH±0.1

(CHINA SUZHOU) TEL:(86)512-6621-0580 FAX:(86)512-6621-0685

SCALE

1/1

UNIT

MM