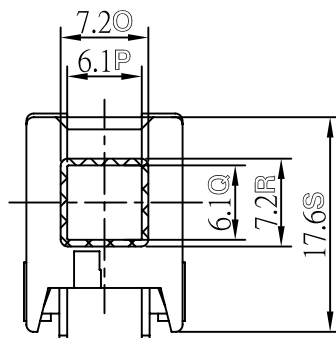
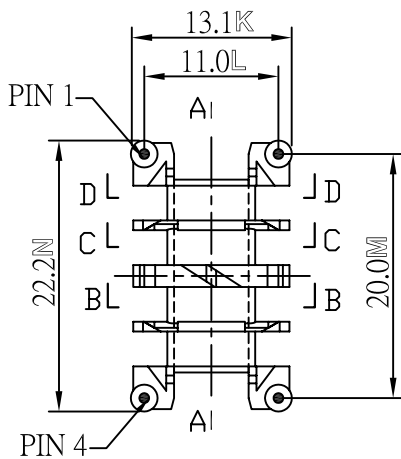
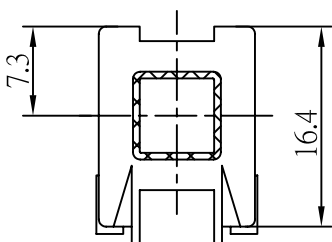


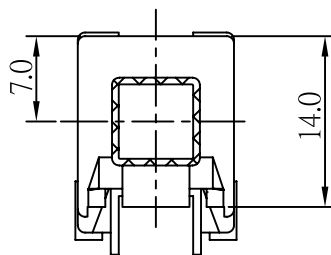
SECTION A-A



SECTION B-B



SECTION D-D



SECTION C-C

REVISIONS				
ISSUE	SYM	DATE	DRAFTER	CHECKER

NOTE:


樹林企業股份有限公司
 TAIWAN SHULIN ENTERPRISE CO., LTD

MODEL

TF-2005

MATERIAL

NYLON66

WEB:www.bobbin.com.tw

UL RATING

UL94V-0

TOLERANCE

e-mail:shulin@bobbin.com.tw

PIN MATERIAL

PHOS.B

.X ± 0.2

(TAIWAN TAIPEI) TEL:(886)2-2223-1500 FAX:(886)2-2222-4646

EDITION

2.0

.XX ± 0.15

(CHINA DONGGUAN) TEL:(86)769-7730-785 FAX:(86)769-7312-387

DATE

2002/9/04

PIN PITCH ± 0.1

(CHINA SUZHOU) TEL:(86)512-6621-0580 FAX:(86)512-6621-0685

SCALE

1.5/1

UNIT

MM