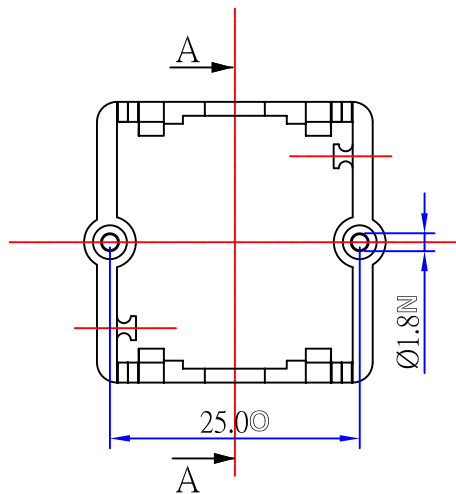


SECTION A-A



REVISIONS				
ISSUE	SYM	DATE	DRAFTER	CHECKER

NOTE:



樹林企業股份有限公司
TAIWAN SHULIN ENTERPRISE CO., LTD

WEB: www.bobbin.com.tw

e-mail: shulin@bobbin.com.tw

(TAIWAN TAIPEI) TEL:(886)2-2223-1500 FAX:(886)2-2222-4646

(CHINA DONGGUAN) TEL:(86)769-7730-785 FAX:(86)769-7312-387

(CHINA SUZHOU) TEL:(86)512-6621-0580 FAX:(86)512-6621-0685

MODEL

GB-211 CASE

MATERIAL

NYLON66

UL RATING

UL94V-0

TOLERANCE

PIN MATERIAL

.X±0.2

EDITION

1.0

.XX±0.15

DATE

2004/11/18

PIN PITCH ±0.1

SCALE

1/1

UNIT

MM